



STEERING TURNTABLES - PAIR

MODEL NO: GA44.V3

Thank you for purchasing a Sealey product. Manufactured to a high standard, this product will, if used according to these instructions, and properly maintained, give you years of trouble free performance.

IMPORTANT: PLEASE READ THESE INSTRUCTIONS CAREFULLY. NOTE THE SAFE OPERATIONAL REQUIREMENTS, WARNINGS & CAUTIONS. USE THE PRODUCT CORRECTLY AND WITH CARE FOR THE PURPOSE FOR WHICH IT IS INTENDED. FAILURE TO DO SO MAY CAUSE DAMAGE AND/OR PERSONAL INJURY AND WILL INVALIDATE THE WARRANTY. KEEP THESE INSTRUCTIONS SAFE FOR FUTURE USE.



Refer to instruction manual

1. SAFETY

- WARNING!** Ensure Health & Safety, local authority, and general workshop practice regulations are adhered to when using this equipment.
- ✓ Maintain the turntables in good condition (use an authorised service agent).
- ✓ Replace or repair damaged parts. Use genuine parts only. Unauthorised parts may be dangerous and will invalidate the warranty.
- ✓ Locate turntables in a suitable working area, keep area clean and tidy and free from unrelated materials.
- WARNING!** Use turntables on level and solid ground.
- ✓ Keep the turntables clean to ensure accurate performance.
- ✗ **DO NOT** use outside in damp or wet weather conditions.
- ✗ **DO NOT** allow untrained persons to operate the turntables.
- ✗ **DO NOT** leave a vehicle unattended on the turntables.
- WARNING!** When setting front end alignment on commercial vehicles never make adjustments to drop arms or interconnecting links. Doing so could result in serious tyre, wheel and steering problems.
- ✓ Any alignment changes deemed necessary as a result of using this equipment must be made strictly in accordance with the vehicle manufacturer's recommendations.

2. INTRODUCTION

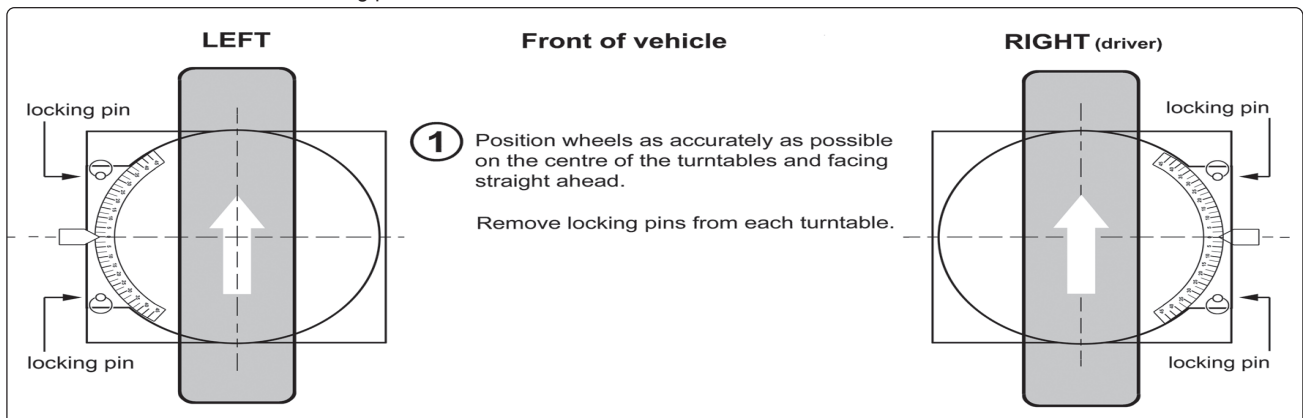
Use in conjunction with Model No. GA42 Gauge Set for accurate castor and kingpin alignment. Also measures toe-in/out and full lock angles. Locking pins prevent rotation of table whilst driving vehicle on and ensure accurate angular measurements. Measures up to 55° rotation in either direction. Maximum loading 4000kg per pair.

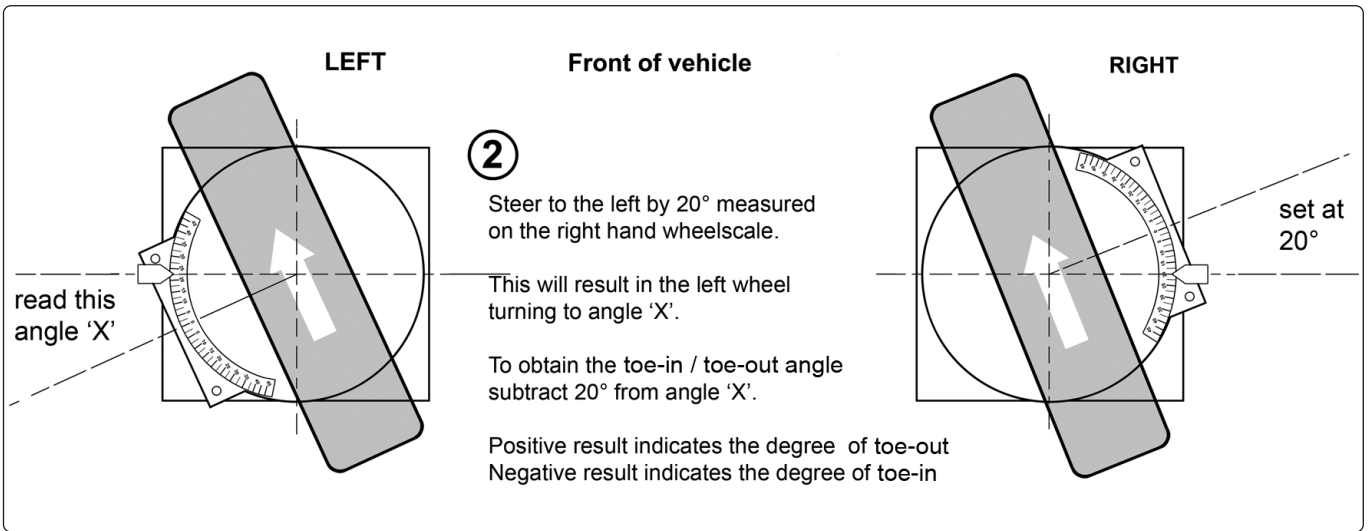
3. SPECIFICATION

Model noGA44.V3
 Capacity4tonne pair, 2tonne each
 Range±55°
 Table diameter 400mm
 Table height 50mm
 Table movement.....62mm front to back, 55mm side to side

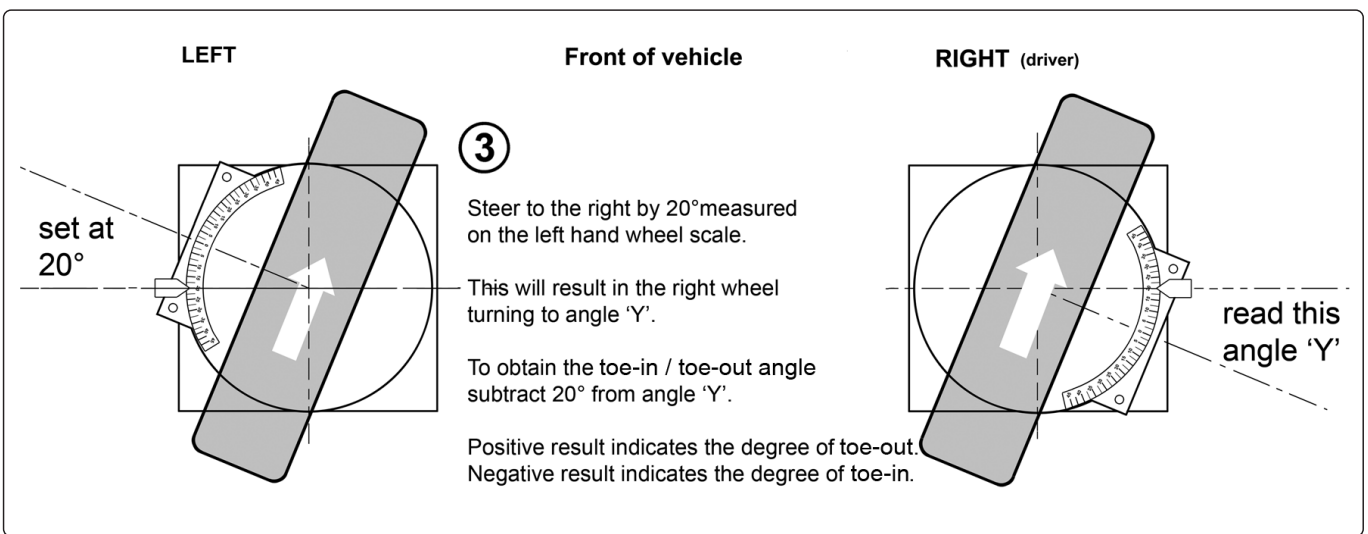
4. PREPARATION AND USE

- 4.1. Before use, lock the sliding action of each turntable by inserting the locking pins.
- 4.2. The turntables must be placed on a dry, non-slip surface to prevent them moving when the vehicle is driven onto them. Place a turntable in front of each wheel with the turntable itself centred on the tyre and the scale facing outwards to the left or right. Ensure that the two turntables are in line with each other and parallel to the front of the vehicle. With the locking pins still in position, drive the vehicle onto the turntables until the centres of the wheels are positioned over the centres of the respective turntables as shown below. The process will be easier if a second person is available to give guidance. Switch off the engine and engage the handbrake. Remove the locking pins from each turntable.





- 4.3. Measure the wheel angles and the toe-in/out angles for both left and right steering as described above and below.
4.4. Compare your readings with the vehicle manufacturer's recommendations.



- 4.5. To measure full lock set the equipment up as described above in sections 4.1 and 4.2 and as shown in diagram 1.
4.6. Remove the turntable locking pins.
4.7. Steer the wheels to FULL LEFT LOCK and take a reading from the right hand wheel.
4.8. Steer the wheels to FULL RIGHT LOCK and take a reading from the left hand wheel.
4.9. COMPARE READINGS AND CHECK WITH THE VEHICLE MANUFACTURER'S RECOMMENDATIONS.

5. MAINTENANCE

- × **DO NOT** exceed the recommended loading for a pair of turntables, see Specification.
 - × **DO NOT** use outdoors in wet conditions.
- 5.1. In the event of any problems do not dismantle the turntable. Return it to your local Sealey stockist.
5.2. Keep the external surfaces of the turntables free of oil and grease to prevent them slipping in use.
× **DO NOT** use any solvents to clean the turntables. Use only a mild detergent and a damp cloth.
5.3. Lubricate all moving parts with a light oil.



ENVIRONMENT PROTECTION

Recycle unwanted materials instead of disposing of them as waste. All tools, accessories and packaging should be sorted, taken to a recycling centre and disposed of in a manner which is compatible with the environment. When the product becomes completely unserviceable and requires disposal, drain any fluids (if applicable) into approved containers and dispose of the product and fluids according to local regulations.

Note: It is our policy to continually improve products and as such we reserve the right to alter data, specifications and component parts without prior notice.

Important: No Liability is accepted for incorrect use of this product.

Warranty: Guarantee is 12 months from purchase date, proof of which is required for any claim.

Sealey Group, Kempson Way, Suffolk Business Park, Bury St Edmunds, Suffolk. IP32 7AR



01284 757500



01284 703534



sales@sealey.co.uk



www.sealey.co.uk